

Figure 1: FreeStyle Main View

Item Number Freestyle	Item Number Freestyle Refresh	Description	Quantity	Bubble Seq No
CA229-1	CA343-1	Handle	1	1
CA228-1	N/A	Control Panel Cover	1	2
CP141-1	CP169-1	Membrane Panel w/ Ribbon	1	3
SC110-1	SC110-1	Front/Rear Cover Screws	7	4
CA227-1	CA333-1	Rear Cover	1	5
CA327-1*	CA331-1*	Front Cover	1	6
FI144-1	FI144-1	Inlet Filter	1	7
CA230-1	CA344-1	Inlet Cover	1	8
SN059-1	N/A	Mesh Compressor Screen	1	9
N/A	BT033-1	Battery Freestyle External	1	10

*When ordering this part, you will also need FI145-1 (Outlet Filter Foam) QTY 2 for original Freestyles or FI223-1 QTY 2 for Refreshed Freestyles

Note: Refreshed Freestyle cases are white with a blue handle.

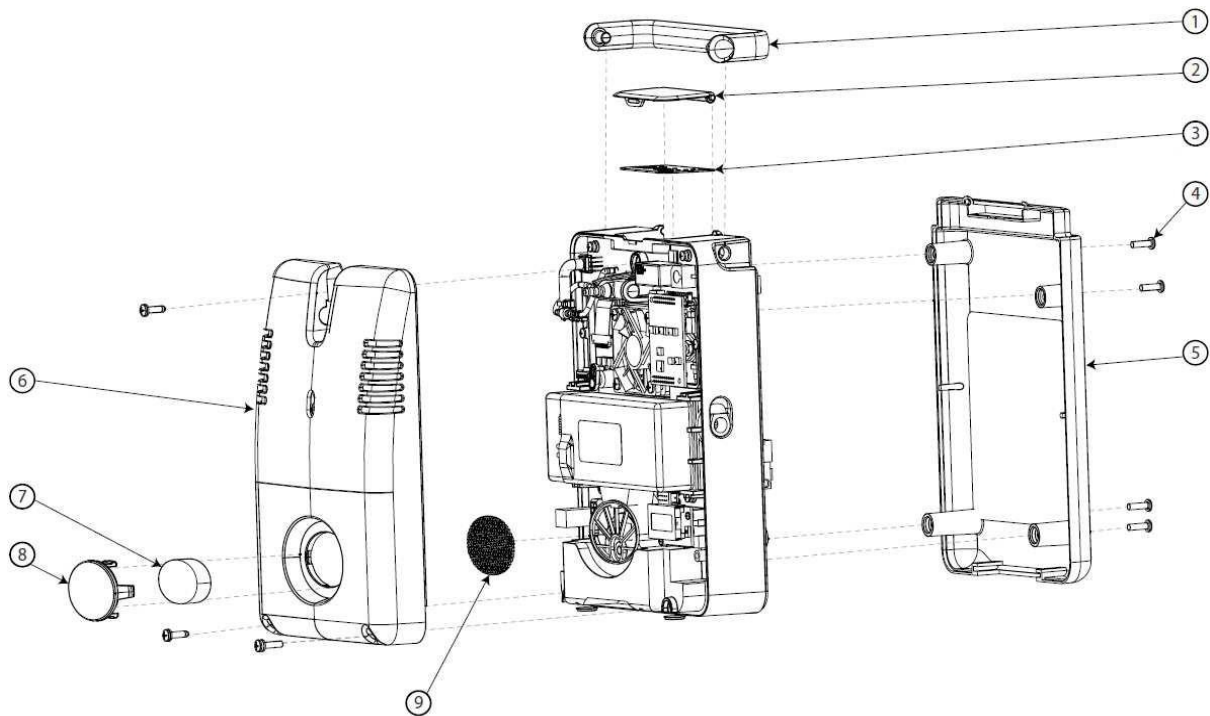


Figure 1A: Freestyle Main View

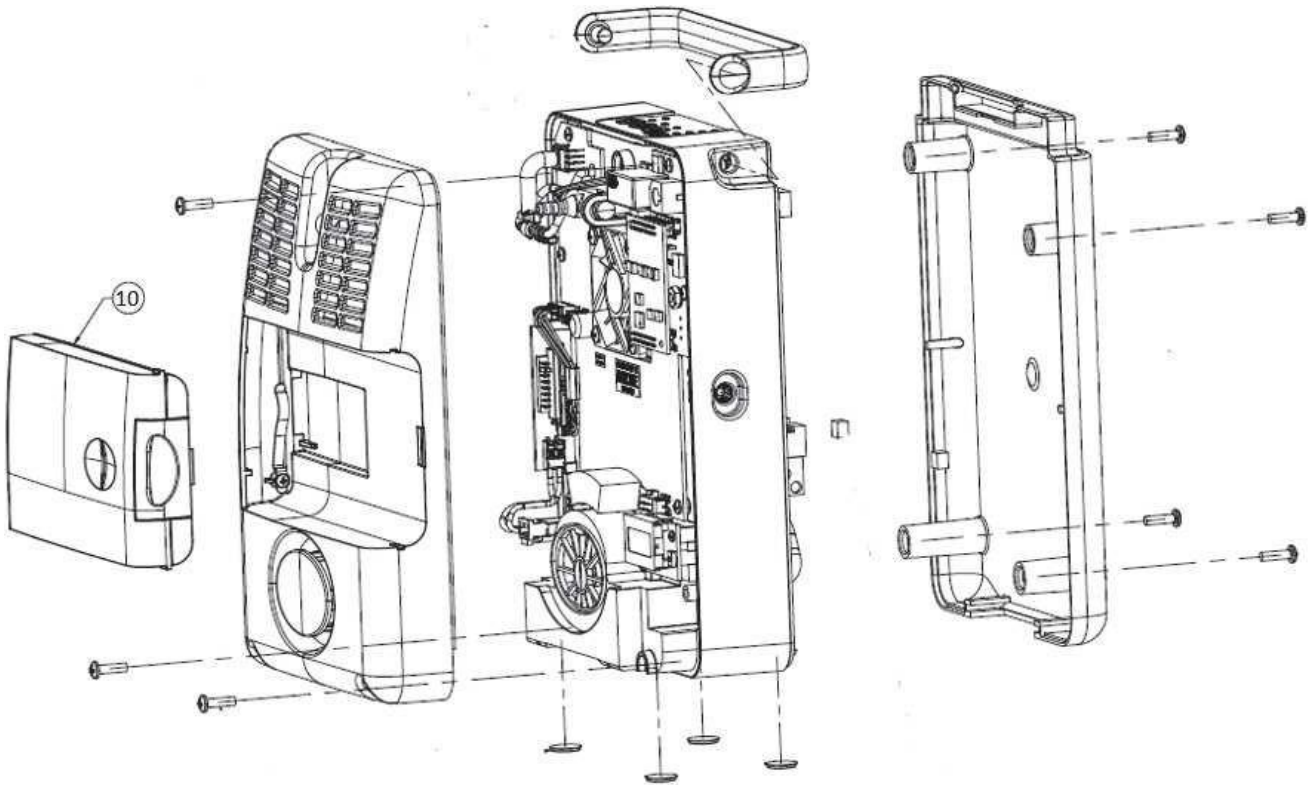


Figure 1B: Freestyle Main View Refresh

Figure 2: FreeStyle Front View

Item Number Freestyle	Item Number Freestyle Refresh	Description	Quantity	Bubble Seq No
FO139-1	FO139-1	Compressor Wiring Foam Spacer	1	1
BT018-1S	NA	FreeStyle Li-ion Battery Pack Internal	1	2
OR029-1	OR029-1	Silicone O-Ring (Attached to Oxygen Outlet Port)	1	3
F0589-1	F0885-1	Oxygen Outlet Port	1	4
SC100-2	SC100-2	Cross-Head Screw #8/32", 1/4"LG (Behind Oxygen Out	1	5
TW011-1	TW011-1	Tie-Wrap	2	6

Note: Shell assembly can be ordered using PN: S0259-1.

Note: Refreshed Freestyle oxygen outlet port is blue.

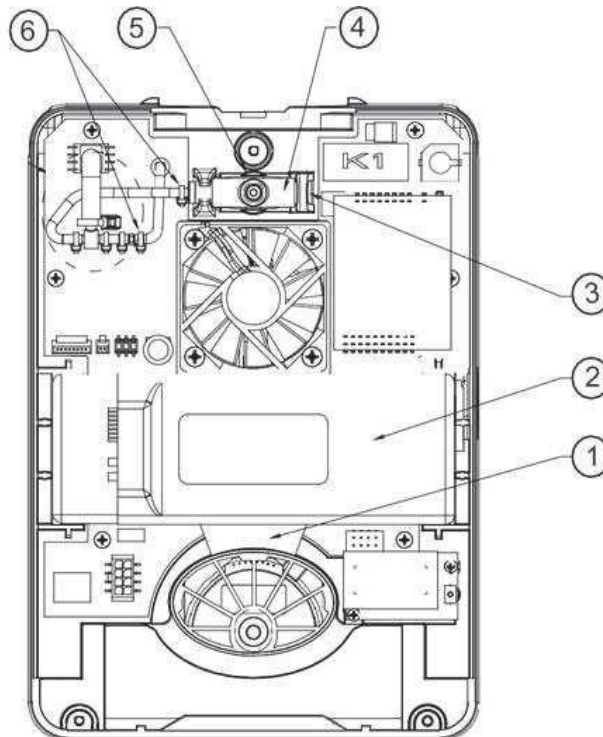


Figure 2: Freestyle Front

Figure 3: FreeStyle Internal Exploded View

Item Number Freestyle	Item Number Freestyle Refresh	Description	Quantity	Bubble Seq No
SC037-3	SC037-3	Self-Tapping Cross Head Screw #4-20, 1/4"LG, Main Circuit	6	1
CB094-1S	CB179-1S	Main Circuit Board Assembly w/ OCD Sensor Tubing Assembly,	1	2
SC109-1	SC109-1	Cross-Head Screw #6-32, 5/8"LG, Cooling Fan	4	3
FN054-1	FN054-1	Cooling Fan	1	4
CP141-1	CP169-1	Membrane Panel w/ Ribbon Cable	1	5
GS015-1	GS015-1	Gasket Nozzle	1	6
NU003-1	NU003-1	#6-32 Hex Nut, Cooling Fan	4	7
CN117-1	CN117-1	Power Receptacle Connector	1	8
WH101-1S	WH138-1	Power Input Harness	1	9
CA324-1	CA332-1	Center Cabinet Housing	1	10
FA034-1	N/A	Black Velcro Fastener Hooks	2	11
HMO14-1	HMO14-2	Hour Meter	1	12
SC108-1	SC108-1	Self-Tapping Cross Head Screw #2-28, 5/16"LG, Hourmeter	2	13
CB095-1	CB095-1	Motor Control Circuit Board	1	14
N/A	CB177-1	Battery Circuit Board	1	15
N/A	WH141-1	Battery Power Wire Harness	1	16
N/A	WH140-1	Battery Gauge Wire Harness	1	17

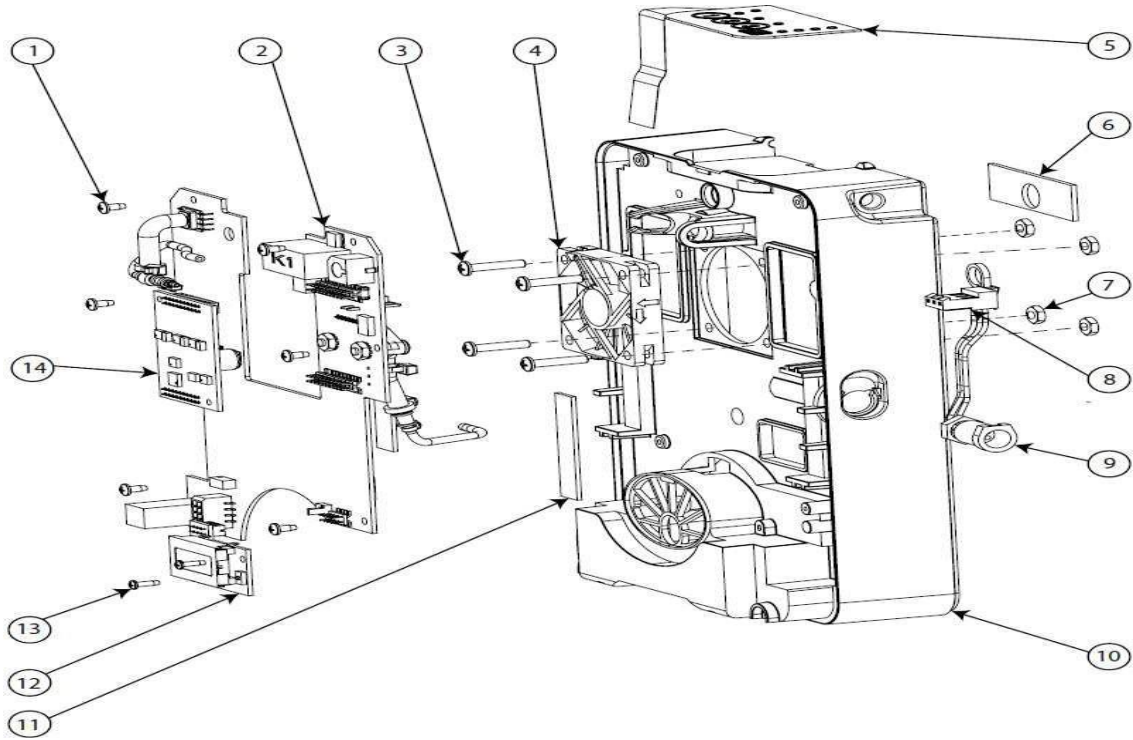


Figure 3A: Freestyle Internal Exploded View

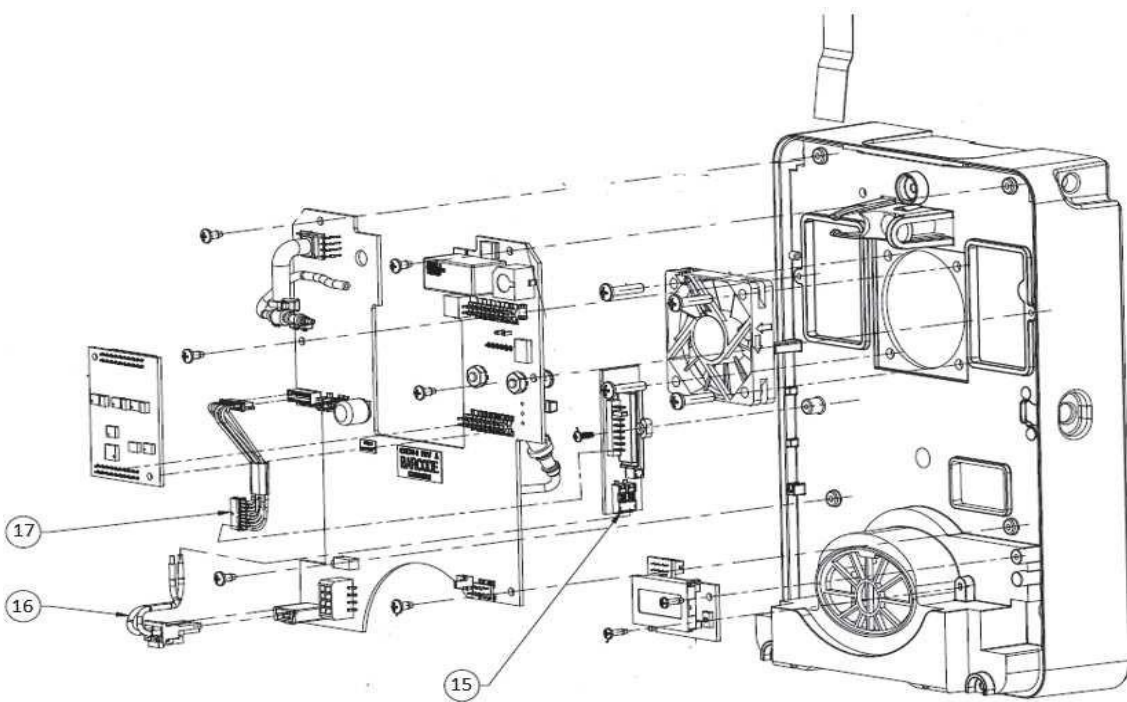


Figure 3B: Freestyle Refresh Internal Exploded View

Figure 4: Sieve Bed/Manifold/Solenoid Valve Exploded View

Item Number Freestyle	Item Number Freestyle Refresh	Description	Quantity	Bubble Seq No
SC105-1	SC105-1	Hex-Head Screw #10-32, 5" LG	1	1
VA644-1	VA644-1	OCD Solenoid Valve	1	2
MA181-1S	MA181-1S	Product Manifold Assembly	1	3
OR026-1	OR026-1	Buna O-Ring	1	4
TA115-1S	TA115-1S	Product Tank Assembly	1	5
TW011-1	TW011-1	Tie-Wrap	1	6
OR027-2	OR027-2	Buna O-Ring	2	7
VA445-1	VA445-1	Waste B Solenoid Valve	1	8
VA445-1	VA445-1	Feed B Solenoid Valve	1	9
MA183-1S	MA183-1S	Feed/Waste Manifold Assembly	1	10
F0423-1	F0423-1	Waste Port Plug	1	11
OR025-3	OR025-3	Buna O-Ring	2	12
GS024-1	GS024-1	Compressor Manifold Gasket	1	13
F0594-1	F0594-1	Compressor Intake Fitting	1	14
OR028-1	OR028-1	Buna O-Ring	2	15
TW004-1	TW004-1	Tie-Wrap	1	16
SC002-4	SC002-4	Cross-Head Screw #6-32, 1/4" LG	1	17
CA232-1	CA347-1	Compressor Mounting Plate	1	18
CO264-1S	CO264-2S	Compressor Assembly	1	19
F0593-1	F0593-1	Compressor Blowdown Fitting	1	20
F0293-1	F0293-1	Pressure Port Plug	1	21
VA445-1	VA445-1	Feed A Solenoid Valve	1	22
VA445-1	VA445-1	Waste A Solenoid Valve	1	23
BE227-1S	BE227-1S	Sieve Bed Set	1	24
OR027-1	OR027-1	Buna O-Ring	2	25
TU147-1S	TU147-1S	Check Valve/Purge Tubing Assembly	1	26
VA644-1	VA644-1	Equalization Solenoid Valve	1	27
TU148-1S	TU148-1S	EQ tubing assy	1	28
FI176-1	FI176-1	Felt Filter for Compressor Blowdown Chamber	1	29
FI143-2	FI143-2	Felt Filter for Compressor Inl Chamber	1	30

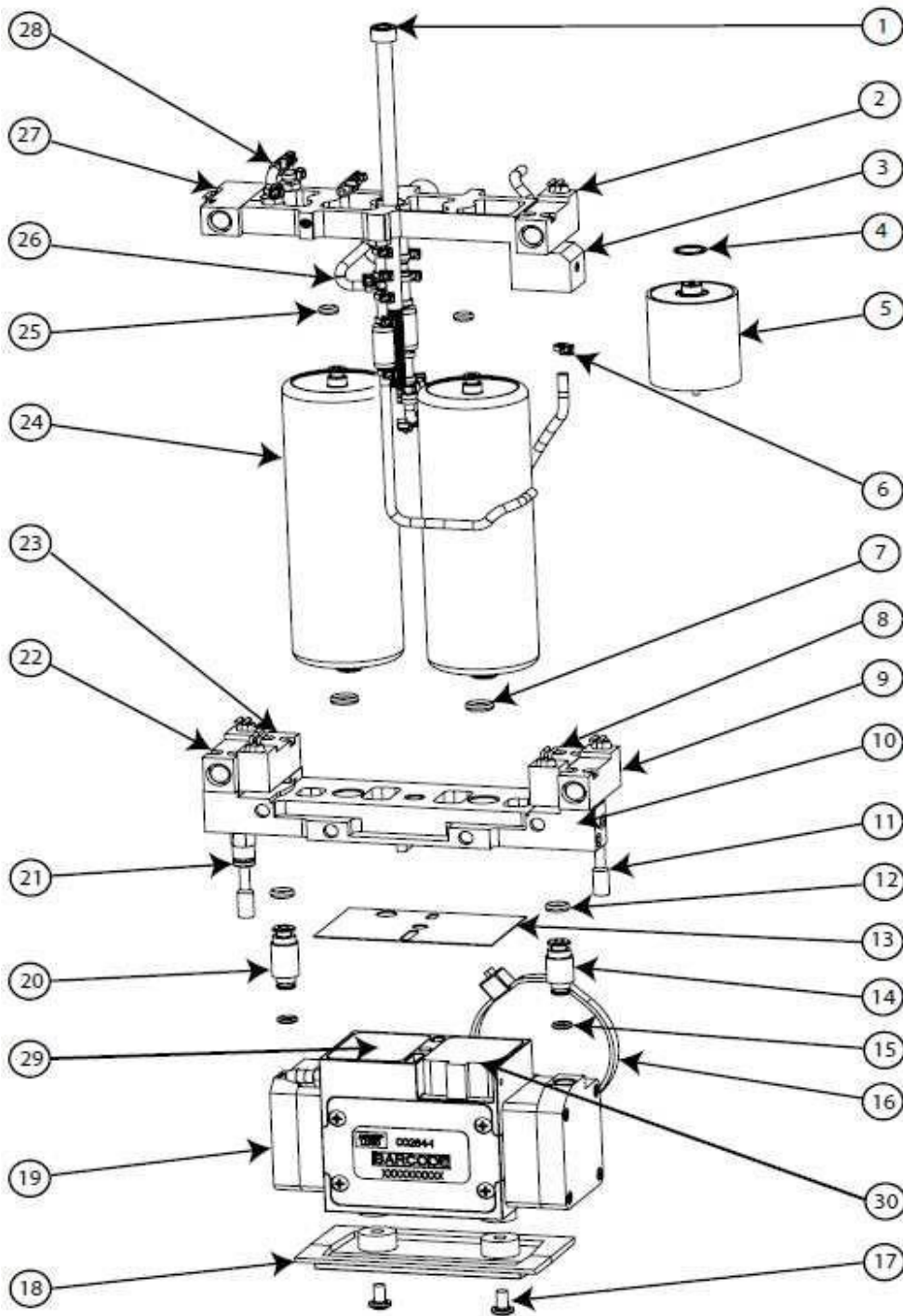


Figure 4: Sieve Bed/Manifold/Solenoid Valve Exploded View

Copyright © 2021. CAIRE Inc. reserves the right to discontinue its products, or change the prices, materials, equipment, quality, descriptions, specifications and/or processes to its products at any time without prior notice and with no further obligation or consequence. All rights not expressly stated herein are reserved by us, as applicable.