

Figure 1: NewLife Main View

| NewLife Elite (1 LED) | NewLife Elite (3 LED) | NewLife Intensity 8 (1 LED) | NewLife Intensity 10 (1 LED) | NewLife Intensity 10 (3 LED) | Description | QTY | Seq No |
|-----------------------|-----------------------|-----------------------------|------------------------------|------------------------------|---------------------------------------|-----|--------|
| CA036-14 | CA036-14 | CA036-14 | CA036-14 | CA036-14 | CABINET,ASSY,SIDE PANEL,SPARE,DK GRY* | 2 | 1 |
| See Pages 4 & 5 | See Pages 4 & 5 | See Pages 4 & 5 | See Pages 4 & 5 | See Pages 4 & 5 | FRONT PANEL ASSY | 1 | 2 |
| SC003-3 | SC003-3 | SC003-3 | SC003-3 | SC003-3 | SCREW, FRONT CASE TO FRAME | 1 | 3 |
| CA034-11 | CA002-11 | CA034-11 | CA034-11 | CA002-11 | CABINET ASSY,BACK PANEL,DARK GRAY | 1 | 4 |
| LA011-1 | LA209-1 | LA011-1 | LA011-1 | LA209-1 | LABEL, BACK | 1 | 5 |
| FI002-1 | FI002-1 | FI002-1 | FI002-1** | FI002-1** | FILTER, INLET | 1 | 6 |
| See Page 9 | See Page 9 | See Page 9 | See Page 9 | See Page 9 | CASE, BOTTOM, ASSY | 1 | 7 |
| BO015-3 | BO015-3 | BO015-3 | BO015-3 | BO015-3 | BOLT, BOTTOM CASE | 4 | 8 |
| WA004-3 | WA004-3 | WA004-3 | WA004-3 | WA004-3 | WASHER, BOTTOM CASE | 4 | 9 |
| NU003-3 | NU003-3 | NU003-3 | NU003-3 | NU003-3 | NUT, BOTTOM CASE | 4 | 10 |
| CA035-17S | CA035-17S | CA218-11S | CA254-11S | CA254-11S | CASE, COMPRESSOR COVER, DK GRY | 1 | 11 |
| FO101-1 | FO101-1 | FO101-1 | FO101-1 | FO101-1 | FOAM, SIDE PANEL | 2 | 12 |
| FO008-1 | FO008-1 | FO008-1 | FO008-1 | FO008-1 | FOAM, COMPRESSOR COVER | 1 | 13 |
| FI001-1 | FI001-1 | NA | NA | NA | PRODUCT DISC FILTER | 1 | 14 |
| LA020-1 | LA020-1 | LA020-1 | LA020-1 | LA020-1 | WARNINGS - SIDE PANEL | 2 | NA |

*Includes Foam and necessary labeling.

** Filter Service Kit PN KI628-1, includes Inlet Filter and Felt Filter

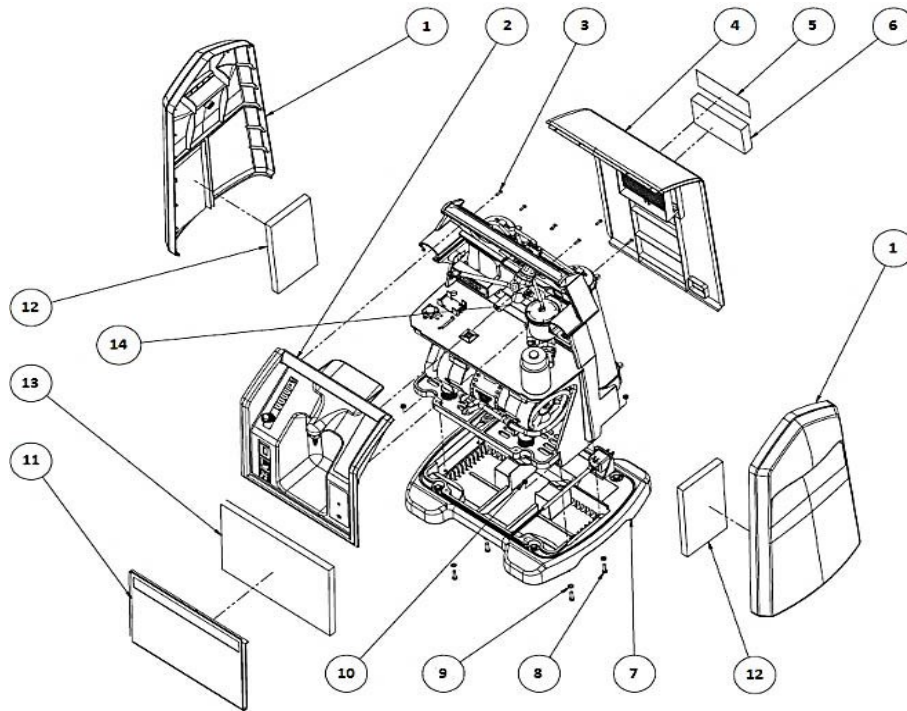


Figure 1: NewLife Main View

Figure 2: Center Section Assembly

| NewLife Elite (1 LED) | NewLife Elite (3 LED) | NewLife Intensity 8 (1 LED) | NewLife Intensity 10 (1 LED) | NewLife Intensity 10 (3 LED) | Description | QTY | Seq No |
|---------------------------|-----------------------|-----------------------------|------------------------------|------------------------------|---------------------------------------|-----|--------|
| See Page 6 | See Page 6 | See Page 6 | See Page 6 | See Page 6 | COMPRESSOR ASSY | 1 | 1 |
| FO004-1 | FO004-1 | FO004-1 | FO004-1 | FO004-1 | FOAM, COMPRESSOR COMPARTMENT | 1 | 2 |
| SC002-1 | SC002-1 | SC002-1 | SC002-1 | SC002-1 | SCREW, TERMINAL BLOCK/ THERMAL SWITCH | 3 | 3 |
| TE040-1 | TE040-1 | TE040-1 | TE040-1 | TE040-1 | TERMINAL BLOCK | 1 | 4 |
| NU003-1 | NU003-1 | NU003-1 | NU003-1 | NU003-1 | NUT, TERMINAL BLOCK/THERMAL SWITCH | 3 | 5 |
| FA002-1 | FA002-1 | FA002-1 | FA002-1 | FA002-1 | FASTNER, ZIP TIE MOUNT | 1 | 6 |
| WH096-3 | AL022-1 | WH096-3 | WH096-3 | AL022-1 | ALARM BUZZER W/ HARNESS | 1 | 7 |
| SC003-1 | SC177-1 | SC003-1 | SC003-1 | SC177-1 | SCREW, ALARM BUZZER | 2 | 8 |
| BT001-2 | NA | BT001-2 | BT001-2 | NA | 9V BATT BRACKET | 1 | 9 |
| SC004-1 | NA | SC004-1 | SC004-1 | NA | SCREW, 9V BATT BRACKET | 2 | 10 |
| RG072-1 | RG072-1 | RG088-1 | RG088-1 | RG088-1 | PRESSURE REGULATOR | 1 | 11 |
| MI161-1 (OXY SILENT ONLY) | MI161-2 | MI161-3 | MI161-2 | MI161-2* | FELT FILTER, INTAKE RESONATOR | 1 | 12 |
| NA | NA | NA | RN020-1S | RN020-1S | INTAKE RESONATOR, FIRST STAGE | 1 | 13 |
| TW004-1 | TW004-1 | TW004-1 | TW004-1 | TW004-1 | ZIP TIE, EQ VALVE | 1 | 14 |
| VA003-9 | VA140-1 | VA003-9 | VA003-1 | VA003-1 | EQUALIZATION VALVE - 120V | 1 | 15 |
| VA003-10 | VA140-2 | VA003-10 | VA003-2 | VA003-2 | EQUALIZATION VALVE - 220V | 4 | 15 |
| FA003-1 | FA003-1 | FA003-1 | FA003-1 | FA003-1 | FASTNER, WIRE HARNESS | 4 | 16 |
| FN001-1 | FN001-1 | FN022-1 | FN050-1 | FN050-1 | FAN | 1 | 17 |
| SC002-6 | SC002-6 | SC002-6 | SC002-6 | SC002-6 | SCREW, FAN | 2 | 18 |
| BE036-8S | BE036-8S | BE157-1S | BE186-2S | BE186-2S | SIEVE BED | 1 | 19 |
| TW002-1 | TW002-1 | TW002-1 | TW002-1 | TW002-1 | ZIP TIE, SIEVE BED | 4 | 20 |
| F0134-1 | F0134-1 | F0134-1 | F0134-1 | F0134-1 | NUT, TUBING TO SIEVE BED | 2 | 21 |
| See Page 8 | See Page 8 | See Page 8 | See Page 8 | See Page 8 | MANIFOLD ASSY | 1 | 22 |
| SW002-3 | SW002-3 | SW002-3 | SW002-3 | SW002-3 | THERMAL SWITCH | 1 | 23 |
| HA001-1 | HA001-1 | HA001-1 | HA001-1 | HA001-1 | SPACER, THERMAL SWITCH | 2 | 24 |
| WA002-8 | WA002-8 | WA002-8 | WA002-8 | WA002-8 | WASHER, THERMAL SWITCH | 2 | 25 |
| TA089-3 | TA089-3 | TA132-1S | TA132-1S | TA132-1S | TANK, MIXING ASSEMBLY | 1 | 26 |
| TU158-1 | TU158-1 | TU158-1 | TU158-1 | TU158-1 | SIEVE BED TUBING ASSY | 1 | NA |
| NA | NA | VA543-1 | VA543-1 | TA543-1 | CHECK VALVE, SIEVE BEDS | 2 | NA |
| CB100-1 | CB196-1 | CB100-1 | CB100-1 | CB196-1 | O2 MONITOR BOARD | 1 | NA |
| NA | NA | NA | CB164-1 | CB164-1 | CIRCUIT BOARD, FAN POWER - 120V | 1 | NA |
| NA | NA | NA | CB164-2 | CB164-2 | CIRCUIT BOARD, FAN POWER - 220V | 1 | NA |

* Filter Service Kit PN KI628-1, includes Inlet Filter and Felt Filter

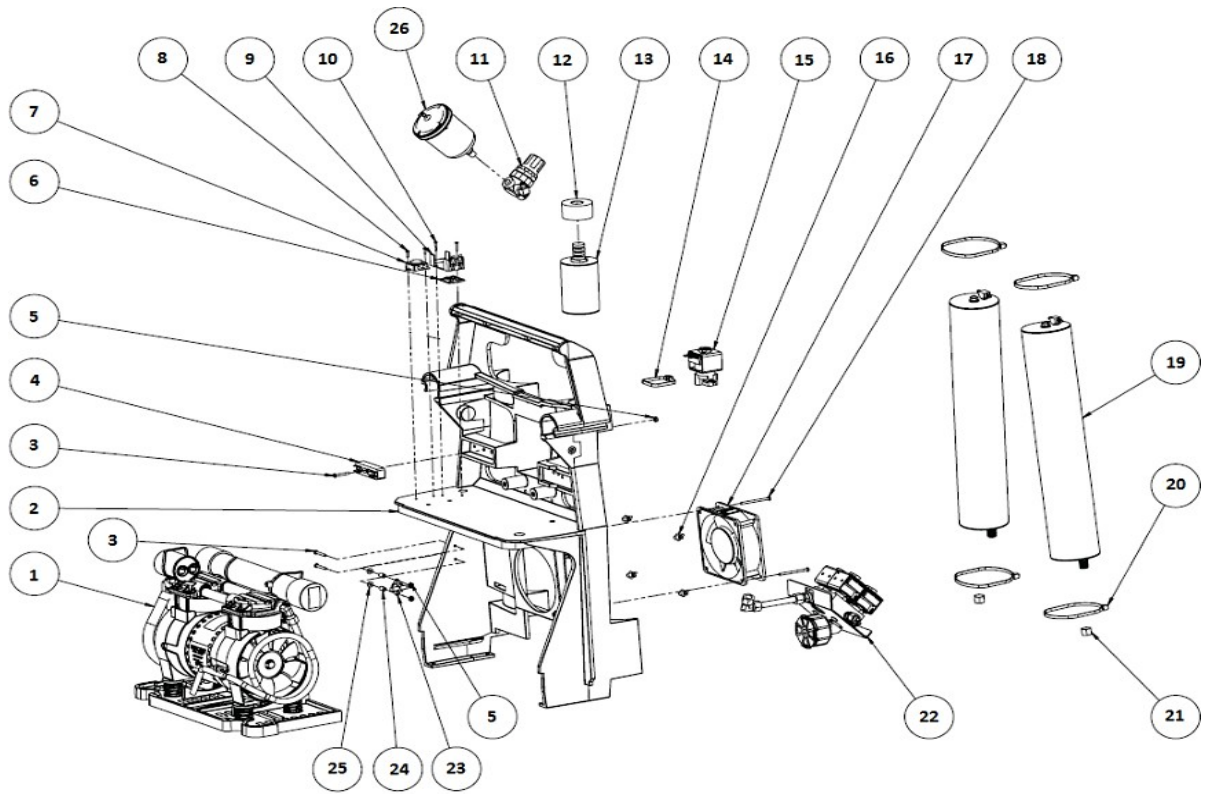


Figure 2: Center Section Assembly

Figure 3: NewLife Elite, NewLife Intensity 8 and 10 Front Panel

| NewLife Elite (1 LED) | NewLife Elite (3 LED) | NewLife Intensity 8 (1 LED) | NewLife Intensity 10 (1 LED) | NewLife Intensity 10 (3 LED) | Description | QTY | Seq No |
|-----------------------|-----------------------|-----------------------------|------------------------------|------------------------------|---------------------------------|-------|--------|
| TW001-4 | TW001-4 | TW001-4 | TW001-4 | TW001-4 | ZIP TIE | 8 | 1 |
| TU068-1S | TU168-1S | TU161-1S | TU161-2 | TU161-2 | OUTLET TUBING ASSY | 1 | 2 |
| F0004-2 | F0030-1 | F0004-2 | F0004-2 | F0004-1 | FITTING, TEE | 1 | 3 |
| VA006-1 | VA006-1 | VA006-2 | VA006-2 | VA006-2 | CHECK VALVE, VACUUM BREAK (B/W) | 2 | 4 |
| NA | NA | NA | VA142-3 | VA142-3 | CHECK VALVE, O2 OUTLET (CLEAR) | 1 | NA |
| F0317-2 | F0317-2 | F0317-2 | F0317-2 | F0317-2 | FITTING, OUTLET BLOCK | 1 | 5 |
| F0414-1 | F0414-1 | F0414-1 | F0414-1 | F0414-1 | NUT, FLOW METER TO CASE | 2 | 6 |
| FM033-3 | FM033-3 | FM044-1 | FM056-1 | FM056-1 | FLOW METER | 1 | 7 |
| F0007-5 | F0007-5 | F0007-5 | F0007-5 | F0007-5 | DISS FITTING, O2 OUTLET | 1 | 8 |
| F0025-1 | F0025-1 | F0025-1 | F0025-1 | F0025-1 | DISS O2 OUTLET | 1 | 9 |
| SW114-1 | SW114-1 | SW114-1 | SW114-1 | SW114-1 | SWITCH | 1 | 10 |
| HM009-2 | HM009-2 | HM009-2 | HM009-2 | HM009-2 | HOUR METER | 1 | 11 |
| CA003-11S | CA389-1S | CA003-11S | CA003-11S | CA389-1S | FRONT CASE | 1 | 12 |
| CR001-1 | CR001-1 | CR001-1 | CR001-1 | CR001-1 | CIRCUIT BREAKER - 120V | 1 | 13 |
| CR001-5 * | CR001-5* | CR001-5 * | CR001-6 ** | CR001-6** | CIRCUIT BREAKER - 220V | 1 | 13 |
| MO002-1 | MO002-1 | MO002-1 | MO002-1 | MO002-1 | FASTNER, CIRCUIT BOARD TO CASE | 3 | 14 |
| CB200-3S*** | CB200-3S | CB154-3 | CB200-1S*** | CB200-1S | CIRCUIT BOARD - 120V | 1 | 15 |
| CB200-4S*** | CB200-4S | CB154-4 | CB200-2S*** | CB200-2S | CIRCUIT BOARD - 220V | 1 | 15 |
| NA | MI450-1 | NA | NA | MI450-1 | HEAT SHRINK 1.25" DIAMETER | 3 IN. | NA |
| NA | MI449-1 | NA | NA | MI449-1 | HEAT SHRINK 1.5" DIAMETER | 2 IN. | NA |

* 2 AMP

** 4 AMP

*** When installing on Non-3 LED units, please reference Service Bulletin PN 21329212 for Retro Fit instructions and Retro Fit Kit part numbers.

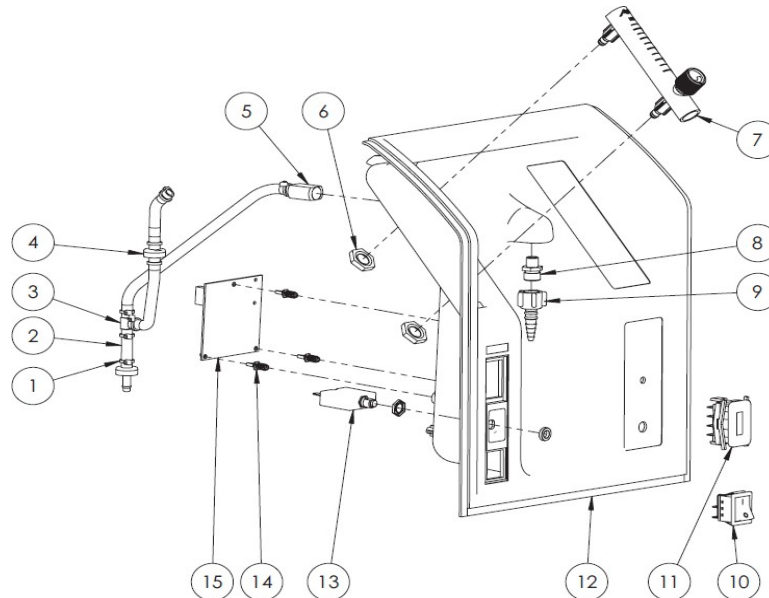


Figure 3: NewLife Elite, NewLife Intensity 8 and 10 Front Panel

Figure 4: NewLife Intensity 8 and 10 Front Panel

| NewLife Intensity 8 and 10 (1 LED) | Newlife Intensity 10 (3 LED) | Description | QTY | Seq No |
|------------------------------------|------------------------------|-----------------------------|-----|--------|
| BK016-1 | BK016-1 | BRACKET, FLOW METER TO CASE | 2 | 1 |
| F0414-1 | F0414-1 | NUT, FLOW METER TO CASE | 4 | 2 |
| F0590-1 | F0590-1 | FITTING, TUBING TO OUTLET | 1 | 3 |
| WA021-1 | WA021-1 | WASHER | 2 | 4 |
| CA003-11S ** | CA389-1S** | FRONT CASE | 1 | 5 |
| WA036-1 | WA036-1 | WASHER | 1 | 6 |
| B-702071-00 | B-702071-00 | DEMAND VALVE | 1 | 7 |
| F0005-2 | F0005-2 | FITTING, BRASS ADAPTER | 4 | 8 |

**For units with Dual Flow Feature, use PN: CA003-12S and CA389-2S (3-LED) ; Light gray front panels are no longer available.

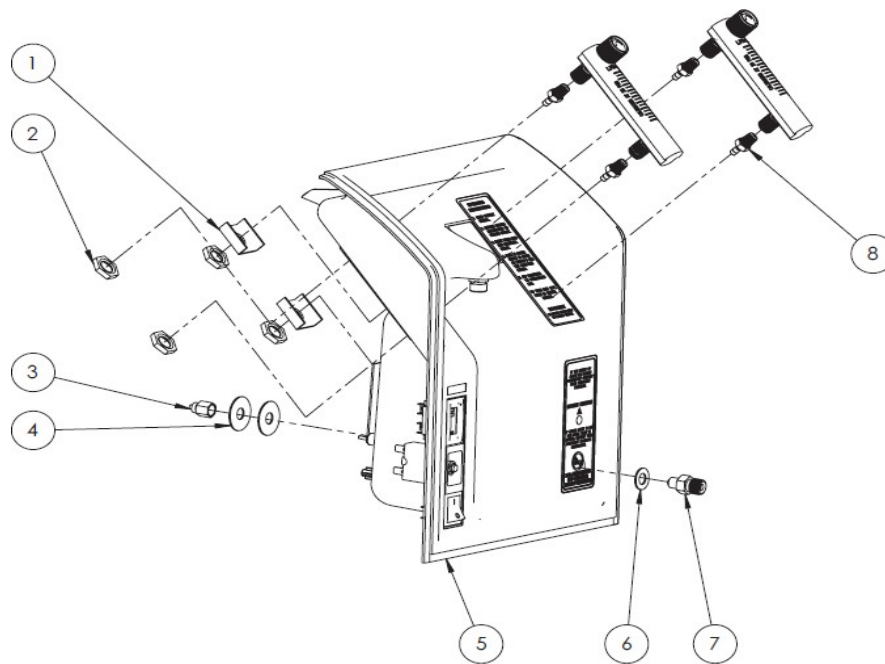


Figure 4: NewLife Intensity 8 and 10 Front Panel

Figure 5: Compressor Assembly

| NewLife Elite (1 LED) | NewLife Elite (3 LED) | NewLife Intensity 8 (1 LED) | NewLife Intensity 10 (1 LED) | NewLife Intensity 10 (3 LED) | Description | QTY | Seq No |
|-----------------------|-----------------------|-----------------------------|------------------------------|------------------------------|--------------------------------------------------|-----|--------|
| BO014-6 | BO014-6 | BO014-6 | BO014-6 | BO014-6 | BOLT, COMPRESSOR MOUNT | 4 | 1 |
| WA023-1 | WA023-1 | WA023-1 | WA023-1 | WA023-1 | WASHER, COMPRESSOR MOUNT | 4 | 2 |
| WA025-2 | WA025-2 | WA025-2 | WA025-2 | WA025-2 | WASHER, COMPRESSOR MOUNT, RUBBER | 4 | 3 |
| CA009-1 | CA009-1 | CA009-1 | CA009-1 | CA009-1 | COMPRESSOR MOUNTING BASE | 1 | 4 |
| SP005-1 | SP005-1 | SP005-1 | SP005-1 | SP005-1 | SPRING, COMPRESSOR MOUNT | 4 | 5 |
| MI039-1 | MI039-1 | MI039-1 | MI039-1 | MI039-1 | SPACER, COMPRESSOR MOUNT | 4 | 6 |
| MI188-1 | MI188-1 | MI188-1 | MI188-1 | MI188-1 | PLASTIC WASHER, COMPRESSOR MOUNT | 4 | 7 |
| SC013-2 | SC013-2 | SC013-2 | SC013-2 | SC013-2 | SCREW, TUBING CLASP TO COMPRESSOR | 1 | 8 |
| WA002-14 | WA002-14 | WA002-14 | WA002-14 | WA002-14 | WASHER, TUBING CLASP TO COMPRESSOR | 1 | 9 |
| CL007-1 | CL007-1 | CL007-1 | CL007-1 | CL007-1 | CLASP, TUBING TO COMPRESSOR | 1 | 10 |
| CO006-1S | CO006-1S | CO006-18S | CO306-1S | CO306-1S | COMPRESSOR ASSY 120V, 60 HZ | 1 | 11 |
| CO006-7S | NA | CO006-21S | CO306-2S | CO306-2S | COMPRESSOR ASSY 220V, 50 HZ | 1 | 11 |
| CO006-14S | CO006-14S | NA | NA | NA | COMPRESSOR ASSY (ECO CHECK 220V, 50HZ) | 1 | 11 |
| CO006-13S | NA | NA | NA | NA | COMPRESSOR ASSY (ECO CHECK 220V, 60HZ) | 1 | 11 |
| CO012-11 | CO012-11 | CO012-11 | CO012-11 | CO012-11 | COMPRESSOR REBUILD KIT (JULY 2002 & LATER) | NA | NA |
| F0045-2 | F0045-2 | F0045-2 | F0045-2 | F0045-2 | ELBOW, COMPRESSOR INLET | 1 | 12 |
| TW004-1 | TW004-1 | TW004-1 | TW004-1 | TW004-1 | ZIP TIE, CAPACITOR | 1 | 13 |
| CC012-3 | CC012-3 | CC012-3 | CC012-8 | CC012-8 | CAPACITOR - 120V | 1 | 14 |
| CC012-6 | CC012-6 | CC012-9 | CC012-7 | CC012-7 | CAPACITOR - 220V | 1 | 14 |
| HX002-2 | HX002-2 | HX002-2 | HX002-2 | HX002-2 | HEAT EXCHANGER | 1 | 15 |
| F0104-1 | F0104-1 | F0104-1 | F0104-1 | F0104-1 | ELBOW, COMPRESSOR OUTLET | 1 | 16 |
| TU058-140 | TU058-140 | TU058-140 | TU175-140 | TU175-140 | TUBING, RESONATOR TO COMPRESSOR | 1 | 17 |
| RN023-1 | RN026-1 | RN023-1 | RN027-1 | RN027-1 | RESONATOR | 1 | 18 |
| RN024-1 | RN025-1 | RN024-1 | NA | NA | RESONATOR (OXY SILENT) | 1 | 18 |
| TW004-1 | TW004-1 | TW004-1 | TW004-1 | TW004-1 | ZIP TIE, RESONATOR TO CASE | 2 | 19 |
| TU065-1 | TU065-1 | TU203-2 | TU203-2 | TU203-1 | BLOCK FEED TUBING, HEAT EXCHANGER TO VALVE BLOCK | 1 | 20 |

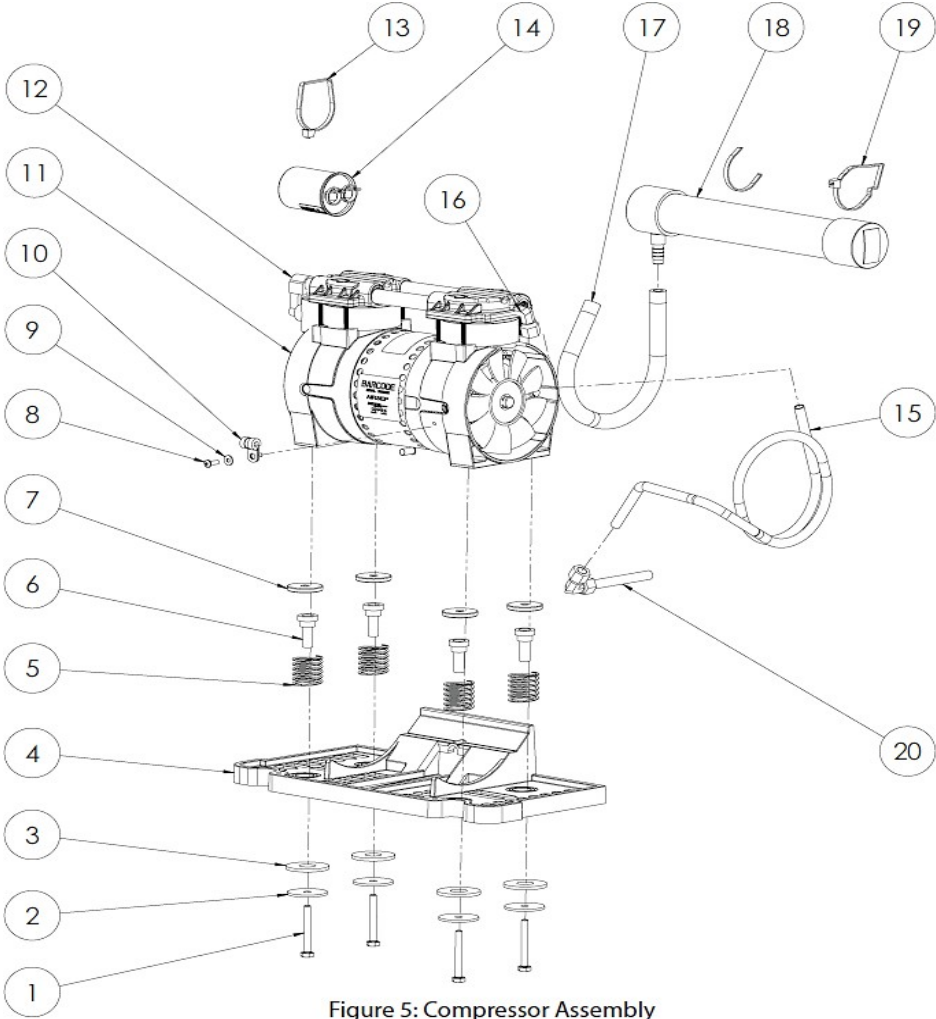


Figure 5: Compressor Assembly

Figure 6: Valve Manifold Assembly

| NewLife Elite (1 LED) | NewLife Elite (3 LED) | NewLife Intensity 8 (1 LED) | NewLife Intensity 10 (1 LED) | NewLife Intensity 10 (3 LED) | Description | QTY | Seq No |
|-----------------------|-----------------------|-----------------------------|------------------------------|------------------------------|---------------------------------------------|-----|--------|
| MU043-1S | MU043-1S | MU043-2S | MU079-1S | MU079-1S | MUFFLER | 1 | 1 |
| F0016-3 | F0016-3 | F0016-3 | F0016-3 | F0016-3 | NIPPLE | 1 | 2 |
| F0105-2 | F0105-2 | F0105-2 | F0105-2 | F0150-2 | ADAPTER FITTING | 1 | 3 |
| F0021-1 | F0021-1 | F0021-1 | F0021-1 | F0021-1 | STREET ELBOW 45DEG FITTING | 2 | 4 |
| VA136-1 | VA136-1 | VA136-1 | VA136-1 | VA136-1 | VALVE CAP | 4 | 5 |
| VA034-1 | VA034-1 | VA034-1 | VA034-1 | VA034-1 | VALVE STEM, REBUILD KIT (Includes #5) | 4 | 6 |
| VA001-1 | VA001-1 | VA001-1 | VA001-1 | VA001-1 | SOLENOID VALVE ASSY - 120V (Includes #5, 6) | 4 | NA |
| VA001-2 | VA001-2 | VA001-2 | VA001-2 | VA001-2 | SOLENOID VALVE ASSY - 220V (Includes #5, 6) | 4 | NA |
| F0134-1 | F0134-1 | F0134-1 | F0134-1 | F0134-1 | COMPRESSION FITTING | 2 | 7 |
| VA290-3 | VA290-3 | VA290-3 | VA290-3 | VA290-3 | MANIFOLD | 1 | 8 |
| BK004-2 | BK004-2 | BK004-2 | BK004-2 | BK004-2 | BRACKET, MANIFOLD | 1 | 9 |
| WA004-3 | WA004-3 | WA004-3 | WA004-3 | WA004-3 | WASHER, BRACKET TO MANIFOLD | 2 | 10 |
| SC001-5 | SC001-5 | SC001-5 | SC001-5 | SC001-5 | SCREW, BRACKET TO MANIFOLD | 2 | 11 |

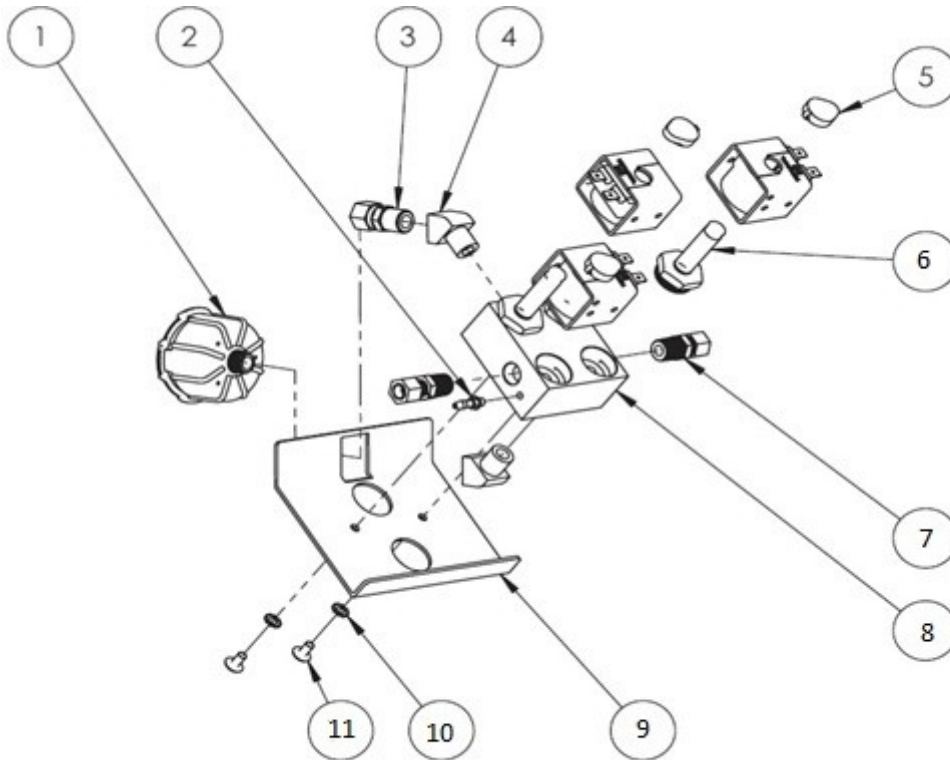


Figure 6: Valve Manifold Assembly

Figure 7: Bottom Case

| NewLife Elite (1 LED) | NewLife Elite (3 LED) | NewLife Intensity 8 (1 LED) | NewLife Intensity 10 (1 LED) | NewLife Intensity 10 (3 LED) | Description | QTY | Seq No |
|-----------------------|-----------------------|-----------------------------|------------------------------|------------------------------|----------------------------|-----|--------|
| CS001-1S | CS001-1S | CS001-1S | CS001-1S | CS001-1S | CASTER | 4 | 1 |
| WA002-1 | WA002-14 | WA002-1 | WA002-1 | WA002-14 | WASHER, CASTER | 4 | 2 |
| CA201-1 | CA201-11 | CA201-1 | CA201-1 | CA201-11 | CASE, BOTTOM | 1 | 3 |
| WA002-6 | WA002-14 | WA002-6 | WA002-6 | WA002-14 | WASHER, CASTER | 4 | 4 |
| NU005-1 | NU005-1 | NU005-1 | NU005-1 | NU005-1 | NUT, CASTER | 4 | 5 |
| CA007-1 | CA007-11 | CA007-1 | CA007-1 | CA007-11 | CASE, POWER CORD HOUSING | 1 | 6 |
| CD006-1 | CD006-1 | CD006-1 | CD006-1 | CD006-1 | STRAIN RELIEF, POWER CORD | 1 | 7 |
| CD011-2 | CD011-2 | CD011-2 | CD011-2 | CD011-2 | POWER CORD, NORTH AMERICA | 1 | 8 |
| SC003-3 | SC003-3 | SC003-3 | SC003-3 | SC003-3 | SCREW, FRONT CASE TO FRAME | 2 | 9 |

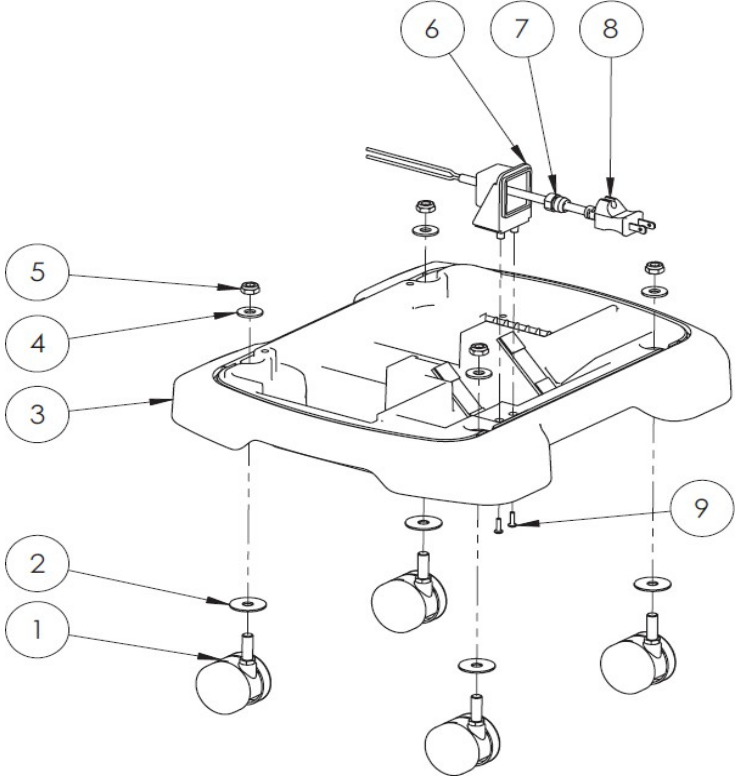


Figure 7: Bottom Case

Copyright © 2021 CAIRE Inc. CAIRE Inc. reserves the right to discontinue its products, or change the prices, materials, equipment, quality, descriptions, specifications and/or processes to its products at any time without prior notice and with no further obligation or consequence. All rights not expressly stated herein are reserved by us, as applicable.